

order number: J80023A0001

STX mounting rail outlet incl. RJ45 jack B Cat.6<sub>A</sub>

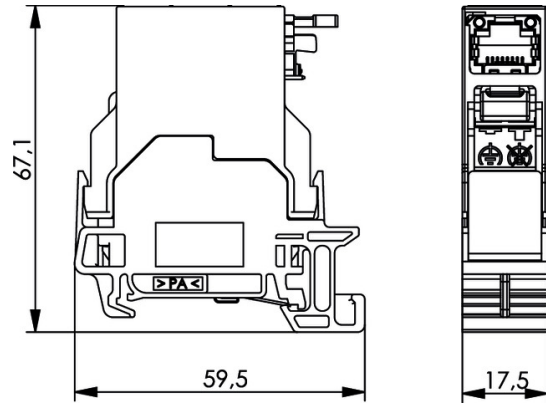


Fig. may differ



Technical Attributes	
Short name	STX mounting rail outlet
Type	incl. RJ45 jack B Cat.6 <sub>A</sub> T568B
Remarks	tool-free connectivity, suitable for RJ45/11/12 plugs, mounting rail TH35
Colour	light grey

## Description of the Series/Product Category

Notice: The following information refer to the series/product category as a whole. Please see the specific datasheet for specific technical information of a particular product.

For generic cabling in control cabinets, Telegärtner offers outlets and distributors which can be mounted directly next to one another on the mounting rail. They form the ideal connection between the arriving installation lines and the wiring inside the control cabinet. The components can be quickly and easily mounted on conventional TH 35 rails by simply clicking them in place.

Die STX Tragschienen-Verbinder mit STEADYTEC®-Technologie sind mit einer großen Auswahl von

Einsätzen (RJ45, USB, LWL-Kupplungen) erhältlich. Mit Hilfe der frei wählbaren Einsätze, die sich problemlos in die Verbinder-Gehäuse einsetzen lassen, entsteht eine hohe Flexibilität sowohl in der Artikelauswahl als auch in den Anwendungsgebieten. Die Ausführungen für die vollgeschirmten RJ45 Module Cat.6<sub>A</sub> und RJ45 Kupplungen Cat.6 Class E<sub>A</sub> verfügen...

## Performance Characteristics

- Cat.6<sub>A</sub> acc. to IEC 60603-7-51
- Cat.6<sub>A</sub> re-embedded tested acc. to IEC 60512-27-100
- link certificate: Class E<sub>A</sub> acc. to ISO/IEC 11801
- 10 Gigabit-Ethernet compliant (IEEE 802.3an)
- overbending protection: ≥750 mating cycles with RJ45/RJ11/RJ12 plugs
- suitable for PoE+ acc. to IEEE 802.3at
- suitable for switching programs from several manufacturers with design capable faceplate AMJ-S Up/0 flex
- integrated strain relief for cable O.D. to 9 mm
- universal, world-wide available installation dimension for mounting cut-outs: 19.3 x 14.7 mm
- universal, world-wide available installation dimension for mounting cut-outs: 19.3 x 14.7 mm
- AMJ-S DD: with integrated protection against damage to the contacts by automatic disconnection of the plug connection

Mechanical Characteristics	
Core Diameter	0,9 - 1,6 mm
Cu-Conductor diameter: solid	0.41-0.64 mm AWG 26/1 - AWG 22/1
Reusable IDC für AWG 23/1 - AWG 26/1	≤10 cycles
Reusable IDC for AWG 22/1	≤10 cycles
Reusable IDC for AWG 22/7	≤10 cycles
Reusable IDC for AWG 24/7 - AWG 26/7	≤10 cycles
Life (mating cycles RJ45, RJ12, RJ11)	≥ 750
Reusable IDC for AWG 22/1 and AWG 22/7	≤4 cycles
Reusable IDC for AWG 24/7 - 27/7	≤10 cycles
Cable diameter	max. 9 mm
Insertion force	≤ 30 N
Cu-Conductor diameter: stranded	0.46-0.76 mm AWG 27/7 - AWG 22/7
Reusable contacts	≤10 cycles
Material: housing / mounting rail	PA UL94 V0 grey
Material: housing	PA UL94 V0 grey
Material: earth contact spring	Spring steel 5-8 µm Sn on 3 µm Cu

Material: insulating housing	-
Material: jack housing	zinc diecast
Material: snap-fit	phosphor bronze tinned
Material: shield	German silver
Material: insulators	PC UL94 V0
Material: contact spring	phosphor bronze tinned
Material: PCB	FR4
Material: PCB finish	chem. tin-plated
Material: IDC termination finish	min. 3-6 $\mu\text{m}$ Sn
Material: cable ties	PA ZK94 V2
Material: contact spring finish	min. 0,8 $\mu\text{m}$ ( $\mu\text{in}$ ) Au on 1,2 $\mu\text{m}$ (50 $\mu\text{in}$ ) Ni
Material: cable clamp	PC UL94 V0

Climatic Characteristics	
UL	E244889

Electrical Characteristics	
PoE+ acc to IEEE 802.3at	fulfilled
Contact resistance	$\leq 20 \text{ m}\Omega$
Insulation resistance	$\geq 500 \text{ M}\Omega$
Voltage proof: contact-contact	$\geq 1000 \text{ V, DC}$
Voltage proof: contact-shield	$\geq 1500 \text{ V, DC}$
Current carrying capacity at 50°C	1 A

Standards	
Degrees of protection provided by enclosures (IP code)	IEC 60529
Specification for low-voltage switchgear and controlgear	DIN EN 60947-1; DIN EN 60947-7-1
Generic cabling systems	ISO/IEC 11801; EN 50173-1:2007; ISO/IEC 24702; IEC 61918
Custom-designed cabling systems	PROFINET Installation Guideline

Connectors	IEC 60603-7-51
Mounting rail TH35	DIN 60715

Ambient temperature	-40° C to +85° C

Category 6 <sub>A</sub> (Component)	ISO/IEC 11801, DIN EN 50173-1
Class E <sub>A</sub> (Channel)	ISO/IEC 11801, DIN EN 50173-1
Class E (Channel with Coupler Cat.6)	-
Class D (Channel with Coupler Cat.5e)	-
Gigabit Ethernet acc. to IEEE 802.3	fulfilled
10 Gigabit Ethernet acc. to IEEE 802.3an	fulfilled
Category 6 <sub>A</sub>	ISO/IEC 11801, DIN EN 50173-1
Class E <sub>A</sub> (Permanent Link)	ISO/IEC 11801, DIN EN 50173-1